

Requirements for IP over DVB

Gorry Fairhurst (gorry@erg.abdn.ac.uk)

Authors

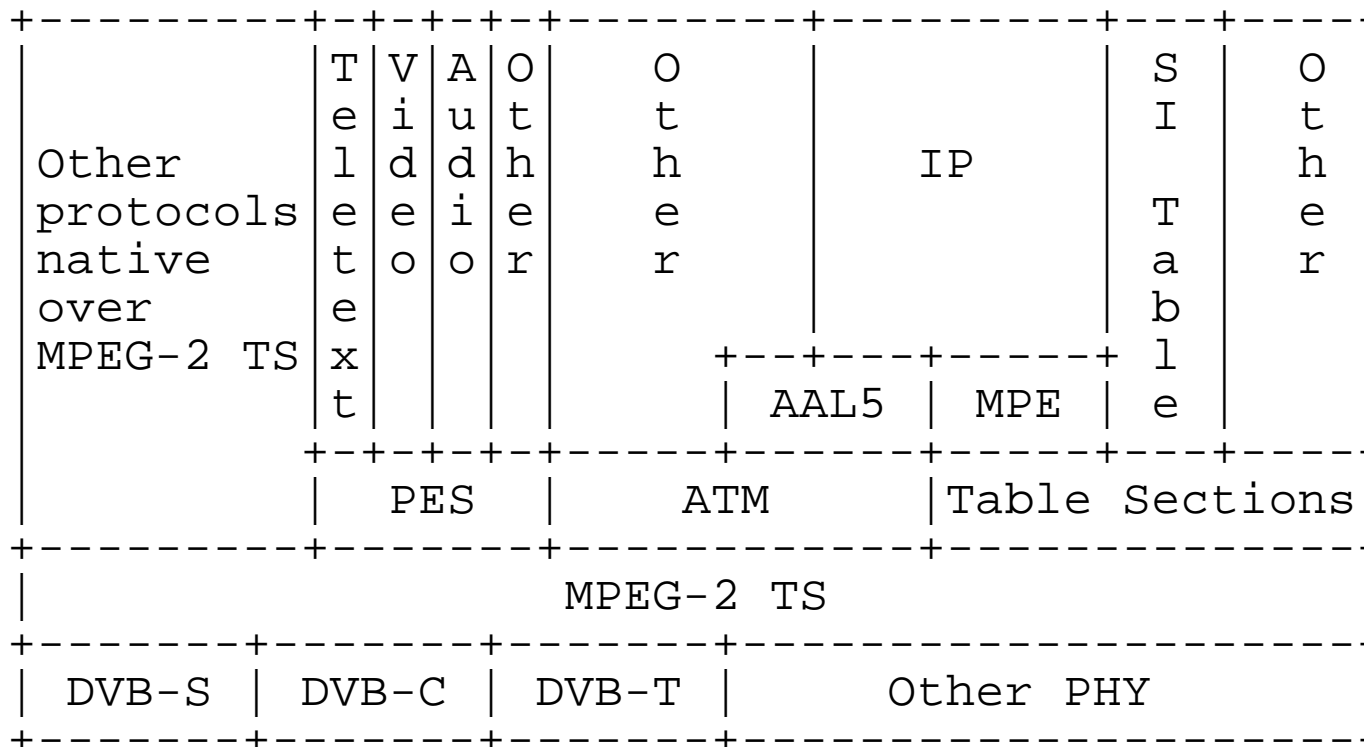
Gorry Fairhurst
Bernhard Collini-Nocker
Horst Clausen

Further contributions offered

Current text at:

[http://www.erg.abdn.ac.uk/users/gorry/ip-dvb/ids/
draft-fair-ipdvb-req-00d.txt](http://www.erg.abdn.ac.uk/users/gorry/ip-dvb/ids/draft-fair-ipdvb-req-00d.txt)

Protocol Stack



Proposed Work

Gorry Fairhurst (gorry@erg.abdn.ac.uk)

Individual submissions of IDs to IETF

INFO RFC on requirements / framework

DRAFT STANDARD RFC(s) defining Encapsulation

RFC(s) defining Address Resolution

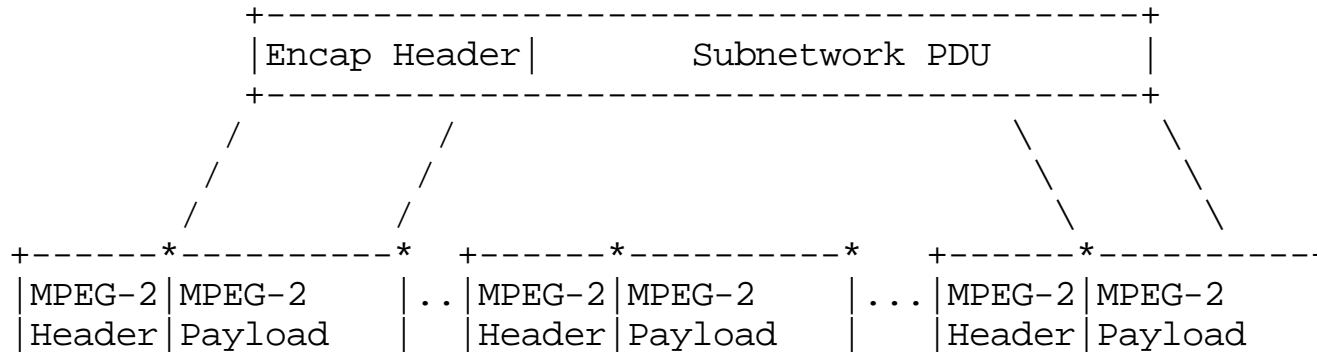
RFC(s) defining Multicast Operation

Anything else ????

<http://www.erg.abdn.ac.uk/users/gorry/ip-dvb/charter.html>

Efficient Encapsulation for IP over DVB

Gorry Fairhurst (gorry@erg.abdn.ac.uk)



Author's Volunteered:

Gorry Fairhurst

Marie-José Montpetit

Bernhard Collini-Nocker

Patrick Capiere

More potential authors?

Need a variety of ideas written up as IDs

Efficient Encapsulation for IP over DVB

Gorry Fairhurst (gorry@erg.abdn.ac.uk)

Points of debate:

Do we need a better encapsulation?

What headers should be included?

IPv6 issues?

Transition to a new standard?

Big Question:

How should the PID (MPEG-2 TS) be used?

Supporting Protocols for IP over DVB

Gorry Fairhurst (gorry@erg.abdn.ac.uk)

DVB Address Resolution for IP over DVB

Multicast Support for IP over DVB

Supporting Protocols for IP over DVB

Gorry Fairhurst (gorry@erg.abdn.ac.uk)

Points of debate:

How do we support multiple MPEG-2 Muxes?

Use of DVB Tables?

How much can be done at the IP / sub IP level?

Multicast issues?

Supporting Protocols for IP over DVB

Gorry Fairhurst (gorry@erg.abdn.ac.uk)

And the future:

DVB-RCS Issues?

Regenerative satellites?

What else is going to be needed?

QoS?