

## The RS-485 Design Guide

*Thomas Kugelstadt**HPL - Interface*

### ABSTRACT

As a short compendium for successful data transmission design, this application report discusses the important aspects of the RS-485 standard.

### Introduction

In 1983, the Electronics Industries Association (EIA) approved a new balanced transmission standard called RS-485. Finding widespread acceptance and usage in industrial, medical, and consumer applications, RS-485 has become the industry's interface workhorse.

This application report presents design guidelines for engineers new to the RS-485 standard that can help them accomplish a robust and reliable data transmission design in the shortest time possible.

In a comprehensive way, this document discusses the important aspects of the RS-485 standard by focusing on the following subjects: bus topology, signal levels, cable type, bus termination, failsafe, bus loading, data rate versus bus length, minimum node spacing, and grounding and isolation.

### Standard and Features

RS-485 is an electrical-only standard. In contrast to complete interface standards, which define the functional, mechanical, and electrical specifications, RS-485 only defines the electrical characteristics of drivers and receivers that could be used to implement a balanced multipoint transmission line.

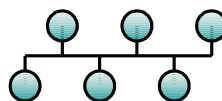
This standard, however, is intended to be referenced by higher level standards, such as DL/T645, for example, which defines the communication protocol for electronic energy-meters in China, specifying RS-485 as the physical layer standard.

Key features of RS-485 are:

- Balanced interface
- Multipoint operation from a single 5-V supply
- –7-V to +12-V bus common-mode range
- Up to 32 unit loads
- 10-Mbps maximum data rate (at 40 feet)
- 4000-foot maximum cable length (at 100 kbps)

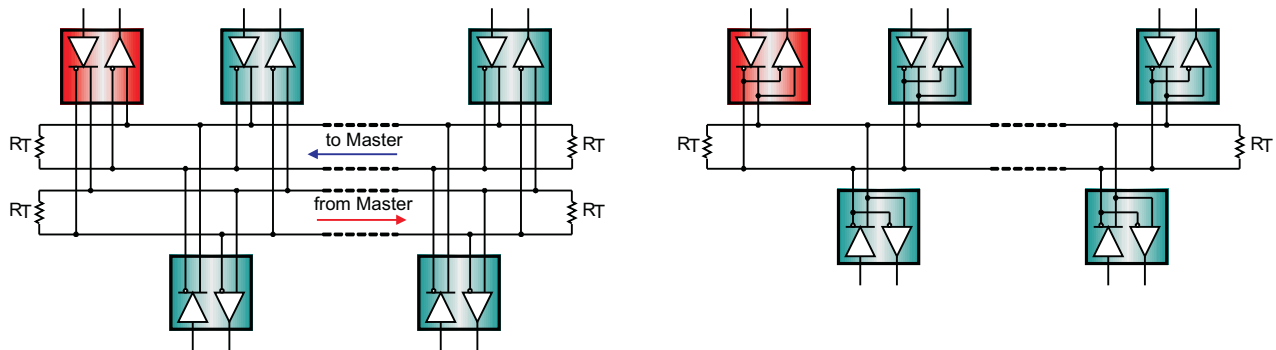
### Network Topology

The RS-485 standard suggests that its nodes be networked in a daisy-chain, also known as party line or bus topology (see [Figure 1](#)). In this topology, the participating drivers, receivers, and transceivers connect to a main cable trunk via short network stubs. The interface bus can be designed for full-duplex or half-duplex transmission (see [Figure 2](#))



**Figure 1. RS-485 Bus Structure**

The full-duplex implementation requires two signal pairs, (four wires), and full-duplex transceivers with separate bus access lines for transmitter and receiver. Full-duplex allows a node to simultaneously transmit data on one pair while receiving data on the other pair.



**Figure 2. Full-Duplex and Half-Duplex Bus Structures in RS-485**

In half-duplex, only one signal pair is used, requiring the driving and receiving of data to occur at different times. Both implementations necessitate the controlled operation of all nodes via direction control signals, such as Driver/Receiver Enable signals, to ensure that only one driver is active on the bus at any time. Having more than one driver accessing the bus at the same time leads to bus contention, which, at all times, must be avoided through software control.

**Signal Levels**

RS-485 standard conform drivers provide a differential output of a minimum 1.5 V across a 54-Ω load, whereas standard conform receivers detect a differential input down to 200 mV. The two values provide sufficient margin for a reliable data transmission even under severe signal degradation across the cable and connectors. This robustness is the main reason why RS-485 is well suited for long-distance networking in noisy environment.

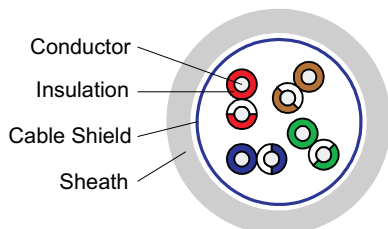


**Figure 3. RS-485 Specified Minimum Bus Signal Levels**

**Cable Type**

RS-485 applications benefit from differential signaling over twisted-pair cable, because noise from external sources couple equally into both signal lines as common-mode noise, which is rejected by the differential receiver input.

Industrial RS-485 cables are of the sheathed, unshielded, twisted-pair type, (UTP), with a characteristic impedance of 120 Ω and 22–24 AWG. Figure 4 shows the cross-section of a four-pair, UTP cable typically used for two full-duplex networks. Similar cables, in two-pair and single-pair versions, are available to accommodate the low-cost design of half-duplex systems.



- Cable :** Belden 3109A
- Type :** 4 - pair, 22 AWG PLCT/CM
- Impedance :** 120 Ω
- Capacitance :** 11 pF/ft
- Velocity :** 78% (1.3 ns/ft)

**Figure 4. Example of RS-485 Communication Cable**

Beyond the network cabling, it is mandatory that the layout of printed-circuit boards and the connector pin assignments of RS-485 equipment maintain the electrical characteristics of the network by keeping both signal lines close and equidistant to another.

### Bus Termination and Stub Length

Data transmission lines should always be terminated and stubs should be as short as possible to avoid signal reflections on the line. Proper termination requires the matching of the terminating resistors,  $R_T$ , to the characteristic impedance,  $Z_0$ , of the transmission cable. Because the RS-485 standard recommends cables with  $Z_0 = 120 \Omega$ , the cable trunk is commonly terminated with 120- $\Omega$  resistors, one at each cable end (see Figure 5, left).

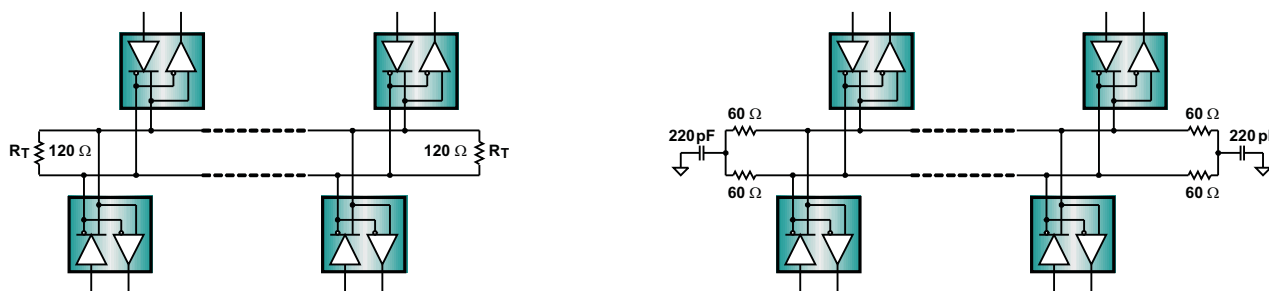


Figure 5. Proper RS-485 Terminations

Applications in noisy environments often have the 120- $\Omega$  resistors replaced by two 60- $\Omega$ , low-pass filters to provide additional common-mode noise filtering, (see Figure 5, right). It is important to match the resistor values, (preferably with 1% precision resistors), to ensure equal rolloff frequencies of both filters. Larger resistor tolerances, (i.e., 20%), cause the filter corner frequencies to differ and common-mode noise to be converted into differential noise, thus compromising the receiver’s noise immunity.

The electrical length of a stub, (the distance between a transceiver and cable trunk), should be shorter than 1/10 of the driver’s output rise time, and is given through:

$$L_{\text{Stub}} \leq \frac{t_r}{10} \times v \times c \tag{1}$$

Where

- $L_{\text{Stub}}$  = maximum stub length (ft)
- $t_r$  = driver (10/90) rise time (ns)
- $v$  = signal velocity of the cable as factor of  $c$
- $c$  = speed of light ( $9.8 \times 10^8$  ft/s).

Table 1 lists the maximum stub lengths of the cable in Figure 4, (78% velocity), for various driver rise times.

Table 1. Stub Length Versus Rise Time

DEVICE	SIGNAL RATE [kbps]	RISE TIME $t_r$ [ns]	MAXIMUM STUB LENGTH [ft]
SN65HVD12	1000	100	7
SN65LBC184	250	250	19
SN65HVD3082E	200	500	38

Note: drivers with long rise times are well suited for applications requiring long stub lengths and reduced, device-generated EMI.

### Failsafe

Failsafe operation is a receiver’s ability to assume a determined output state in the absence of an input signal.

Three possible causes can lead to the loss of signal (LOS):

1. **Open-circuit**, caused by a wire break or by the disconnection of a transceiver from the bus
2. **Short-circuit**, caused by an insulation fault connecting the wires of a differential pair to another
3. **Idle-bus**, occurring when none of the bus drivers is active.

Because these conditions can cause conventional receivers to assume random output states when the input signal is zero, modern transceiver designs include biasing circuits for open-circuit, short-circuit, and idle-bus failsafe, that force the receiver output to a determined state, under an LOS condition.

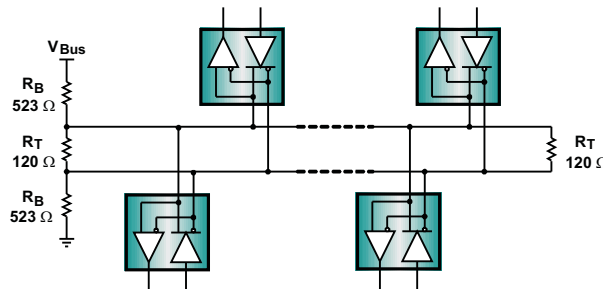
A drawback of these failsafe designs is their worst-case noise margin of 10 mV only, thus requiring external failsafe circuitry to increase noise margin for applications in noisy environments.

An external failsafe circuit consists of a resistive voltage divider that generates sufficient differential bus voltage, to drive the receiver output into a determined state. To ensure sufficient noise margin,  $V_{AB}$  must include the maximum differential noise measured in addition to the 200-mV receiver input threshold,  $V_{AB} = 200 \text{ mV} + V_{\text{Noise}}$ .

The values for the failsafe bias resistors,  $R_B$ , are calculated for worst-case conditions, that is, maximum noise at minimum supply:

$$R_B = \frac{V_{\text{Bus} - \text{min}}}{V_{AB} \times (1/375 + 4/Z_0)} \quad (2)$$

For a minimum bus voltage of 4.75 V, (5 V – 5%),  $V_{AB} = 0.25 \text{ V}$ , and  $Z_0 = 120 \Omega$ ,  $R_B$  yields 528  $\Omega$ . Inserting two 523- $\Omega$  resistors in series to  $R_T$  establishes the failsafe circuit shown in [Figure 6](#).



**Figure 6. External Idle-Bus Failsafe Biasing**

## Bus Loading

Because a driver's output depends on the current it must supply into a load, adding transceivers and failsafe circuits to the bus increases the total load current required. To estimate the maximum number of bus loads possible, RS-485 specifies a hypothetical term of a unit load (UL), which represents a load impedance of approximately 12 k $\Omega$ . Standard-compliant drivers must be able to drive 32 of these unit loads. Today's transceivers often provide reduced unit loading, such as 1/8 UL, thus allowing the connection of up to 256 transceivers on the bus.

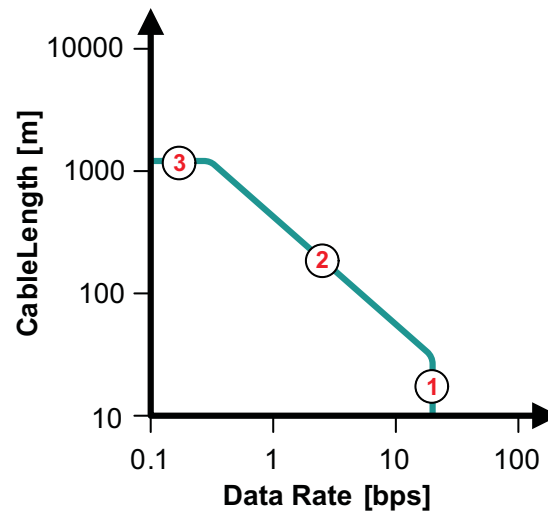
Because failsafe biasing contributes up to 20 unit loads of bus loading, the maximum number of transceivers,  $N$ , is reduced to:

$$N = \frac{32 \text{ UL}_{\text{STANDARD}} - 20 \text{ UL}_{\text{FAILSAFE}}}{\text{UL per transceiver}} \quad (3)$$

Thus, when using 1/8-UL transceivers, it is possible to connect up to a maximum of 96 devices to the bus.

## Data Rate Versus Bus Length

The maximum bus length is limited by the transmission line losses and the signal jitter at a given data rate. Because data reliability sharply decreases for a jitter of 10% or more of the baud period, [Figure 7](#) shows the cable length versus data rate characteristic of a conventional RS-485 cable for a 10% signal jitter.



- (1) Section 1 of the graph presents the area of high data rates over short cable length. Here, the losses of the transmission line can be neglected and the data rate is mainly determined by the driver's rise time. Although the standard recommends 10 Mbps, today's fast interface circuits can operate at data rates of up to 40 Mbps.
- (2) Section 2 shows the transition from short to long data lines. The losses of the transmission lines have to be taken into account. Thus, with increasing cable length, the data rate must be reduced. A rule of thumb states that the product of the line length [m] times the data rate [bps] should be  $<10^7$ . This rule is far more conservative than today's cable performance and will therefore show less length at a given data rate than the graph presents.
- (3) Section 3 presents the lower frequency range where the line resistance, and not the switching, limits the cable length. Here, the cable resistance approaches the value for the termination resistor. This voltage divider diminishes the signal by -6 dB. For a 22 AWG cable, 120  $\Omega$ , UTP, this occurs at approximately 1200 m.

**Figure 7. Cable Length Versus Data Rate**

## Minimum Node Spacing

The RS-485 bus is a distributed parameter circuit whose electrical characteristics are primarily defined by the distributed inductance and capacitance along the physical media, which includes the interconnecting cables and printed-circuit board traces.

Adding capacitance to the bus in the form of devices and their interconnections lowers the bus impedance and causes impedance mismatches between the media and the loaded section of the bus. Input signals arriving at these mismatches are partially reflected back to the signal source distorting the driver output signal.

Ensuring a valid receiver input voltage level during the first signal transition from an output driver anywhere on the bus requires a minimum loaded bus impedance of  $Z' > 0.4 \times Z_0$ , which can be achieved by keeping the minimum distance,  $d$ , between bus nodes:

$$d > \frac{C_L}{5.25 \times C}, \quad (4)$$

where  $C_L$  is the lumped load capacitance and  $C$ , the media capacitance (*cable or PCB trace*) per unit length.

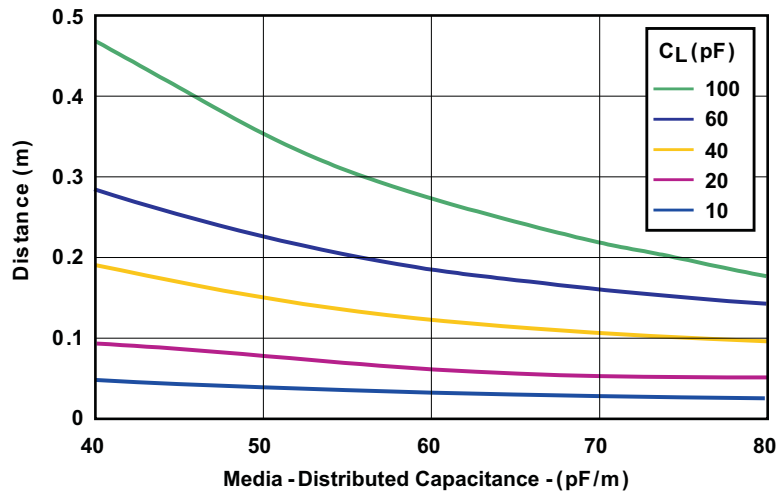


Figure 8. Minimum Node Spacing With Device and Media Capacitance

Equation 4 presents the relationship for the minimum device spacing as a function of the distributed media and lumped-load capacitance; Figure 8 shows this relationship graphically.

Load capacitance includes contributions from the line circuit bus pins, connector contacts, printed-circuit board traces, protection devices, and any other physical connections to the trunk line as long as the distance from the bus to the transceiver (the stub) is electrically short.

Putting some values to the individual capacitance contributions:

5-V transceivers typically possess a capacitance of 7 pF, whereas 3-V transceivers have approximately twice that capacitance at 16 pF. Board traces add approximately 0.5 to 0.8 pF/cm depending on their construction. Connector and suppression device capacitance can vary widely. Media distributed capacitance ranges from 40 pF/m for low capacitance, unshielded, twisted-pair cable to 70 pF/m for backplanes.

## Grounding and Isolation

When designing a remote data link, the designer must assume that large ground potential differences (GPD) exist. These voltages add as common-mode noise,  $V_n$ , to the transmitter output. Even if the total superimposed signal is within the receiver's input common-mode range, relying on the local earth ground as a reliable path for the return current is dangerous (see Figure 9a).

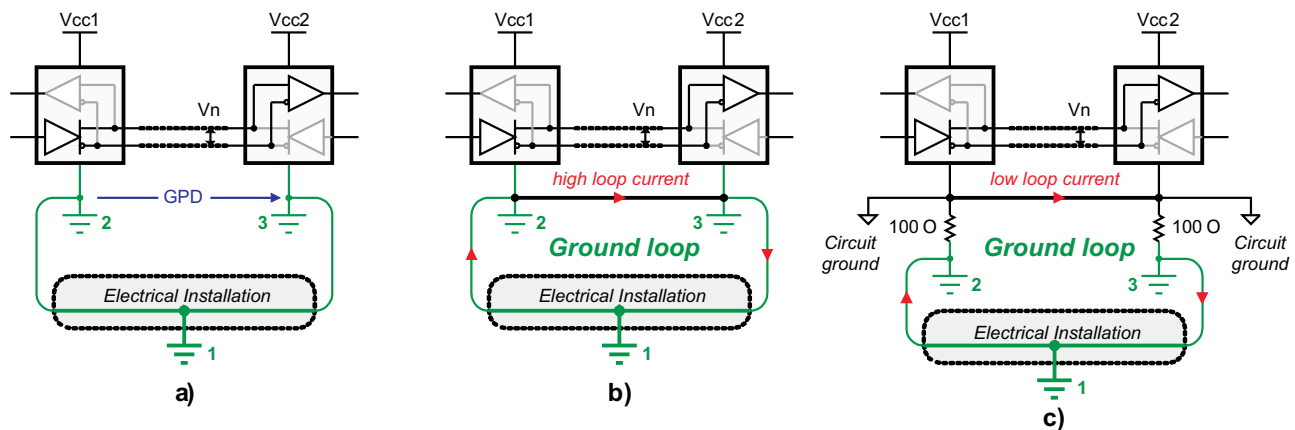


Figure 9. Design Pitfalls to be Aware of: a) High GPD, b) High Loop Current, c) Reduced Loop Current, Yet Highly Sensitive to Induced Noise Due to Large Ground Loop

Because remote nodes are likely to draw their power from different sections of the electrical installation, modification to the installation, (i.e., during maintenance work), can increase the GPD to the extent that the receiver's input common-mode range is exceeded. Thus, a data link working today might cease operation sometime in the future.

The direct connection of remote grounds through ground wire also is not recommended (see Figure 9b), as this causes large ground loop currents to couple into the data lines as common-mode noise.

To allow for a direct connection of remote grounds, the RS485 standard recommends the separation of device ground and local system ground via the insertion of resistors (Figure 9c). Although this approach reduces loop current, the existence of a large ground loop keeps the data link sensitive to noise generated somewhere else along the loop. Thus, a robust data link has not been established yet.

The approach to tolerate GPDs up to several kilovolts across a robust RS-485 data link and over long distance is the galvanic isolation of the signal and supply lines of a bus transceiver from its local signal and supply sources (see Figure 10).

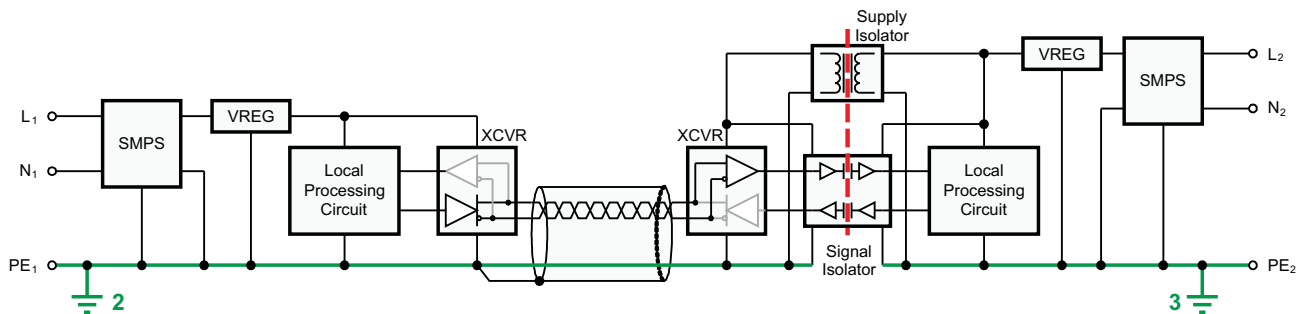


Figure 10. Isolation of Two Remote Transceiver Stations With Single-Ground Reference

In this case, supply isolators, such as isolated DC/DC converters, and signal isolators, such as digital, capacitive isolators, prevent current flow between remote system grounds and avoid the creation of current loops.

Whereas Figure 10 shows the detailed connection of only two transceiver nodes, Figure 11 gives an example for multiple, isolated transceivers. All transceivers but one connect to the bus via isolation. The non-isolated transceiver on the left provides the single-ground reference for the entire bus.

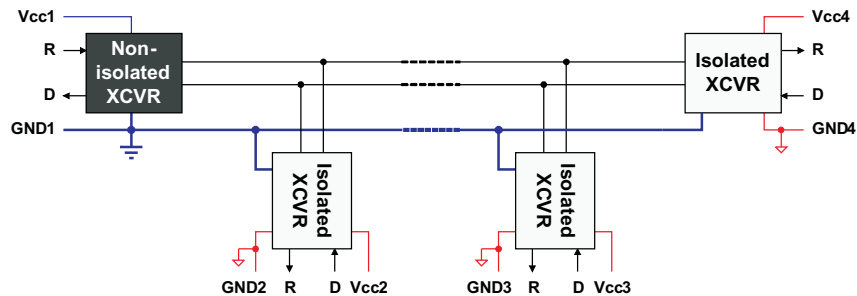


Figure 11. Isolation of Multiple Fieldbus Transceiver Stations

## Conclusion

The objective of this application report is to cover the main aspects of an RS-485 system design. Despite the enormous amount of technical literature on the subject, this document's intent is to provide system designers new to RS-485 with design guidelines in a very comprehensive way.

Following the discussions presented in this document and consulting the detailed application reports in the reference section can help accomplishing a robust, RS-485-compliant system design in the shortest time possible.

Supporting the design effort, Texas Instruments provides an extensive product range of RS-485 transceivers. Device features include low EMI, low-power (1/8 UL), high ESD protection (from 16 kV up to 30 kV), and integrated failsafe functions for open-, short- and idle-bus conditions. For long-distance applications requiring isolation, the product range extends to unidirectional and bidirectional, digital isolators in dual, triple and quad versions (from DC to 150 Mbps), and isolated DC/DC converters (with 3-V and 5-V regulated outputs), to provide the power supply across the isolation barrier.

## References

Further information is available at [www.ti.com](http://www.ti.com) by entering the blue literature numbers that follow into the Keyword Search field.

1. *Removing Ground Noise in Data Transmission Systems* application report ([SLLA268](#))
2. *Interface Circuits for TIA/EIA-485 (RS-485)* design notes ([SLLA036](#))
3. *Detection of RS-485 Signal Loss*, TI Analog Application Journal, 4Q 2006 ([SLYT257](#))
4. *Overtemperature Protection in RS-485 Line Circuits* application report ([SLLA200](#))
5. *Device Spacing on RS-485 Buses*, TI Analog Application Journal, 2Q 2006 ([SLYT241](#))
6. *PROFIBUS Electrical-Layer Solutions* application report ([SLLA177](#))
7. *A Statistical Survey of Common-Mode Noise*, TI Analog Application Journal, Nov 2000 ([SLYT153](#))
8. *Failsafe in RS-485 Data Buses*, TI Analog Application Journal, 3Q 2004 ([SLYT080](#))
9. *The RS-485 Unit Load and Maximum Number of Bus Connections*, TI Analog Application Journal, 1Q 2004 ([SLYT086](#))
10. *Using Signaling Rate and Transfer Rate* application report ([SLLA098](#))
11. *Operating RS-485 Transceivers at Fast Signaling Rates* application report ([SLLA173](#))
12. *RS-485 for E-Meter Applications* application report ([SLLA112](#))
13. *Failsafe in RS-485 Data Buses*, TI Analog Application Journal, 3Q 2004 ([SLYT064](#))
14. *Use Receiver Equalization to Extend RS-485 Data Communications* application report ([SLLA169](#))
15. *The RS-485 Unit Load and Maximum Number of Bus Connections* application report ([SLLA166](#))
16. *Comparing Bus Solutions* application report ([SLLA067](#))
17. *RS-485 for Digital Motor Control Applications* application report ([SLLA143](#))
18. *422 and 485 Standards Overview and System Configurations* application report ([SLLA070](#))
19. *TIA/EIA-485 and M-LVDS, Power and Speed Comparison* application report ([SLLA106](#))
20. *Live Insertion with Differential Interface Products* application report ([SLLA107](#))
21. *The ISO72x Family of High-Speed Digital Isolators* application report ([SLLA198](#))



## IMPORTANT NOTICE

Texas Instruments Incorporated and its subsidiaries (TI) reserve the right to make corrections, modifications, enhancements, improvements, and other changes to its products and services at any time and to discontinue any product or service without notice. Customers should obtain the latest relevant information before placing orders and should verify that such information is current and complete. All products are sold subject to TI's terms and conditions of sale supplied at the time of order acknowledgment.

TI warrants performance of its hardware products to the specifications applicable at the time of sale in accordance with TI's standard warranty. Testing and other quality control techniques are used to the extent TI deems necessary to support this warranty. Except where mandated by government requirements, testing of all parameters of each product is not necessarily performed.

TI assumes no liability for applications assistance or customer product design. Customers are responsible for their products and applications using TI components. To minimize the risks associated with customer products and applications, customers should provide adequate design and operating safeguards.

TI does not warrant or represent that any license, either express or implied, is granted under any TI patent right, copyright, mask work right, or other TI intellectual property right relating to any combination, machine, or process in which TI products or services are used. Information published by TI regarding third-party products or services does not constitute a license from TI to use such products or services or a warranty or endorsement thereof. Use of such information may require a license from a third party under the patents or other intellectual property of the third party, or a license from TI under the patents or other intellectual property of TI.

Reproduction of TI information in TI data books or data sheets is permissible only if reproduction is without alteration and is accompanied by all associated warranties, conditions, limitations, and notices. Reproduction of this information with alteration is an unfair and deceptive business practice. TI is not responsible or liable for such altered documentation. Information of third parties may be subject to additional restrictions.

Resale of TI products or services with statements different from or beyond the parameters stated by TI for that product or service voids all express and any implied warranties for the associated TI product or service and is an unfair and deceptive business practice. TI is not responsible or liable for any such statements.

TI products are not authorized for use in safety-critical applications (such as life support) where a failure of the TI product would reasonably be expected to cause severe personal injury or death, unless officers of the parties have executed an agreement specifically governing such use. Buyers represent that they have all necessary expertise in the safety and regulatory ramifications of their applications, and acknowledge and agree that they are solely responsible for all legal, regulatory and safety-related requirements concerning their products and any use of TI products in such safety-critical applications, notwithstanding any applications-related information or support that may be provided by TI. Further, Buyers must fully indemnify TI and its representatives against any damages arising out of the use of TI products in such safety-critical applications.

TI products are neither designed nor intended for use in military/aerospace applications or environments unless the TI products are specifically designated by TI as military-grade or "enhanced plastic." Only products designated by TI as military-grade meet military specifications. Buyers acknowledge and agree that any such use of TI products which TI has not designated as military-grade is solely at the Buyer's risk, and that they are solely responsible for compliance with all legal and regulatory requirements in connection with such use.

TI products are neither designed nor intended for use in automotive applications or environments unless the specific TI products are designated by TI as compliant with ISO/TS 16949 requirements. Buyers acknowledge and agree that, if they use any non-designated products in automotive applications, TI will not be responsible for any failure to meet such requirements.

Following are URLs where you can obtain information on other Texas Instruments products and application solutions:

### Products

Amplifiers	<a href="http://amplifier.ti.com">amplifier.ti.com</a>
Data Converters	<a href="http://dataconverter.ti.com">dataconverter.ti.com</a>
DSP	<a href="http://dsp.ti.com">dsp.ti.com</a>
Clocks and Timers	<a href="http://www.ti.com/clocks">www.ti.com/clocks</a>
Interface	<a href="http://interface.ti.com">interface.ti.com</a>
Logic	<a href="http://logic.ti.com">logic.ti.com</a>
Power Mgmt	<a href="http://power.ti.com">power.ti.com</a>
Microcontrollers	<a href="http://microcontroller.ti.com">microcontroller.ti.com</a>
RFID	<a href="http://www.ti-rfid.com">www.ti-rfid.com</a>
RF/IF and ZigBee® Solutions	<a href="http://www.ti.com/lprf">www.ti.com/lprf</a>

### Applications

Audio	<a href="http://www.ti.com/audio">www.ti.com/audio</a>
Automotive	<a href="http://www.ti.com/automotive">www.ti.com/automotive</a>
Broadband	<a href="http://www.ti.com/broadband">www.ti.com/broadband</a>
Digital Control	<a href="http://www.ti.com/digitalcontrol">www.ti.com/digitalcontrol</a>
Medical	<a href="http://www.ti.com/medical">www.ti.com/medical</a>
Military	<a href="http://www.ti.com/military">www.ti.com/military</a>
Optical Networking	<a href="http://www.ti.com/opticalnetwork">www.ti.com/opticalnetwork</a>
Security	<a href="http://www.ti.com/security">www.ti.com/security</a>
Telephony	<a href="http://www.ti.com/telephony">www.ti.com/telephony</a>
Video & Imaging	<a href="http://www.ti.com/video">www.ti.com/video</a>
Wireless	<a href="http://www.ti.com/wireless">www.ti.com/wireless</a>

Mailing Address: Texas Instruments, Post Office Box 655303, Dallas, Texas 75265  
Copyright © 2008, Texas Instruments Incorporated